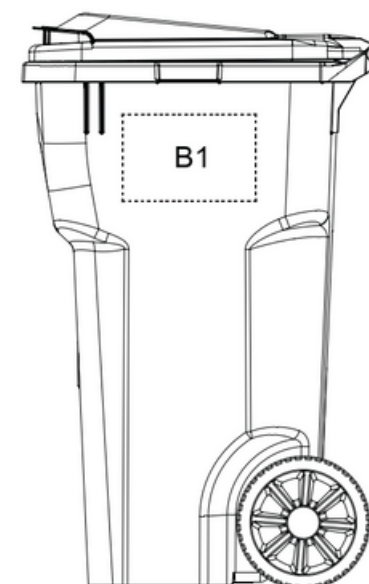
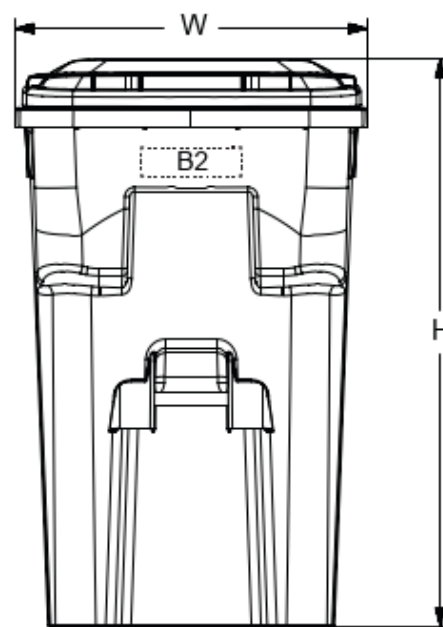
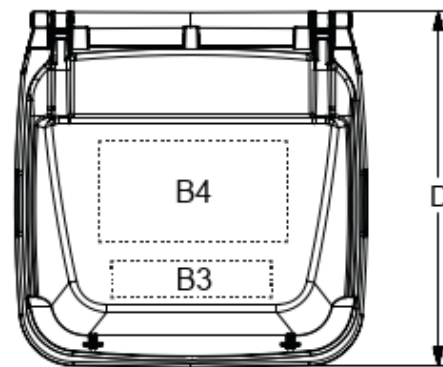


65 Gallon Roll Out Cart



Specifications	IN/LB	CM/KG
Capacity (Gallons / Liters)	65 Gal	246 L
Overall Depth (D)	27.0	68.58
Overall Width (W)	26.5	67.31
Overall Height with Lid (H)	43.6	110.74